

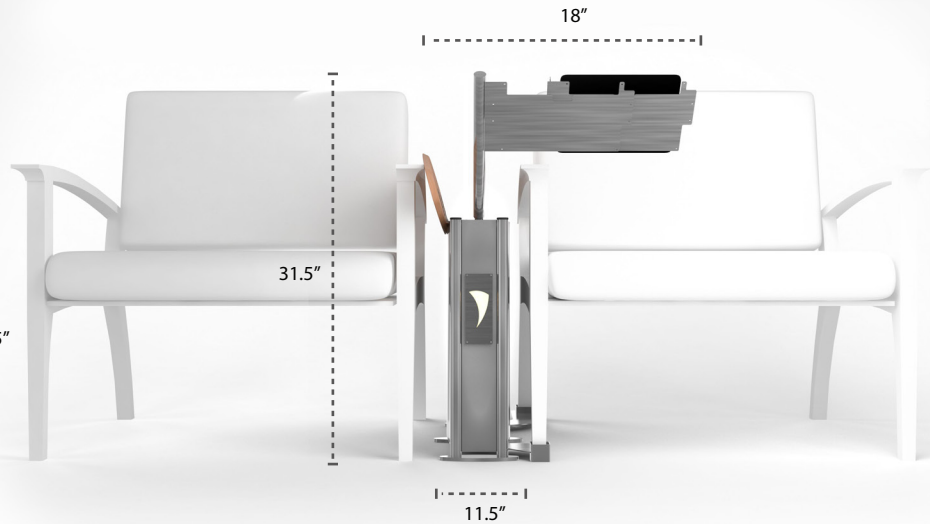
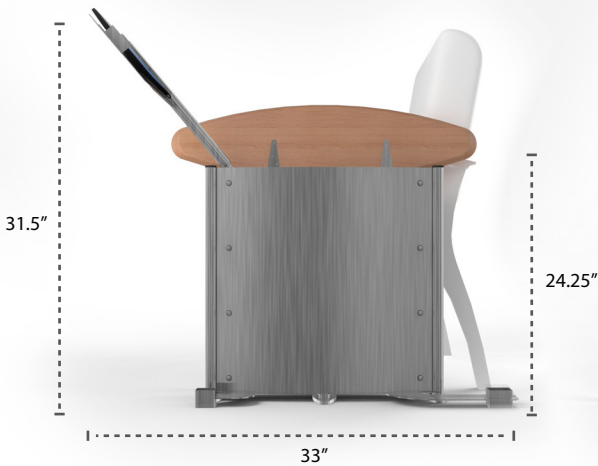
# Guest Kiosk

## Specifications

Our guest kiosk facilitates guest data entry in a waiting room environment.

### Features and Options

	Basic	Premium
Shock Absorbing Articulation Arm	●	●
Custom mounting bracket	●	●
Extruded Aluminum Posts	●	●
Oak top - Light Stain	●	●
Right side chair placement	●	●
"Rounded" Design	⊗	●
Stainless Steel Panels	⊗	●
Custom Stain (Match)	⊗	●
Custom Cut Logo	⊗	●
Custom Side Panel Color	⊗	●
Custom Cabinet Size	⊗	●



## Physical Specifications

	Collapsed		Extended	
Height:	24.25"	Height:	31.5"	
Width:	11.5"	Width:	18"	
Depth:	30"	Depth:	33"	

## Supported Devices

**Fully Supported**  
 Dell Latitude 2100  
 iPad  
**Customizable to Support Other Computers**  
 Contact us for more information

## Pricing

Please contact us for more information, including pricing and quotes.



Contact Information

Universal Research Solutions, LLC  
 (573) 442-7101

